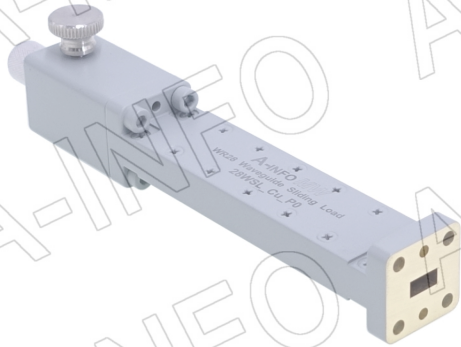


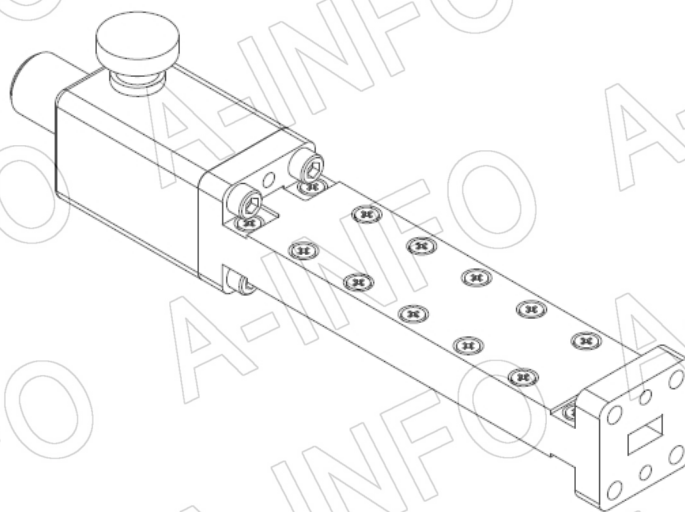
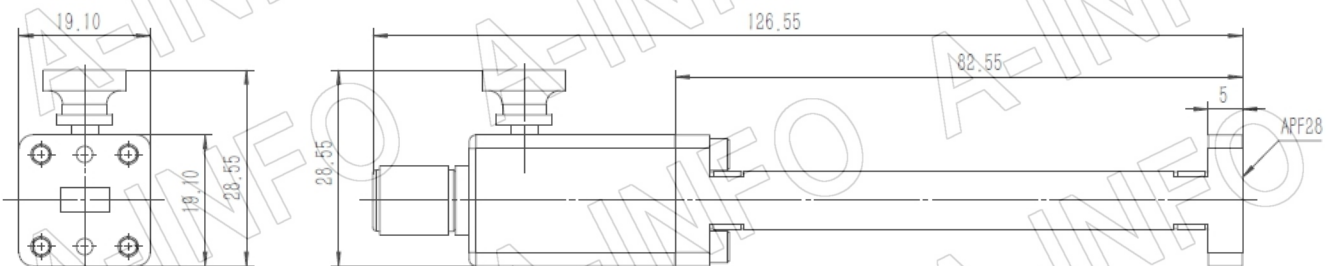
For reference only. See data sheet for the detailed specifications.

Technical Specification

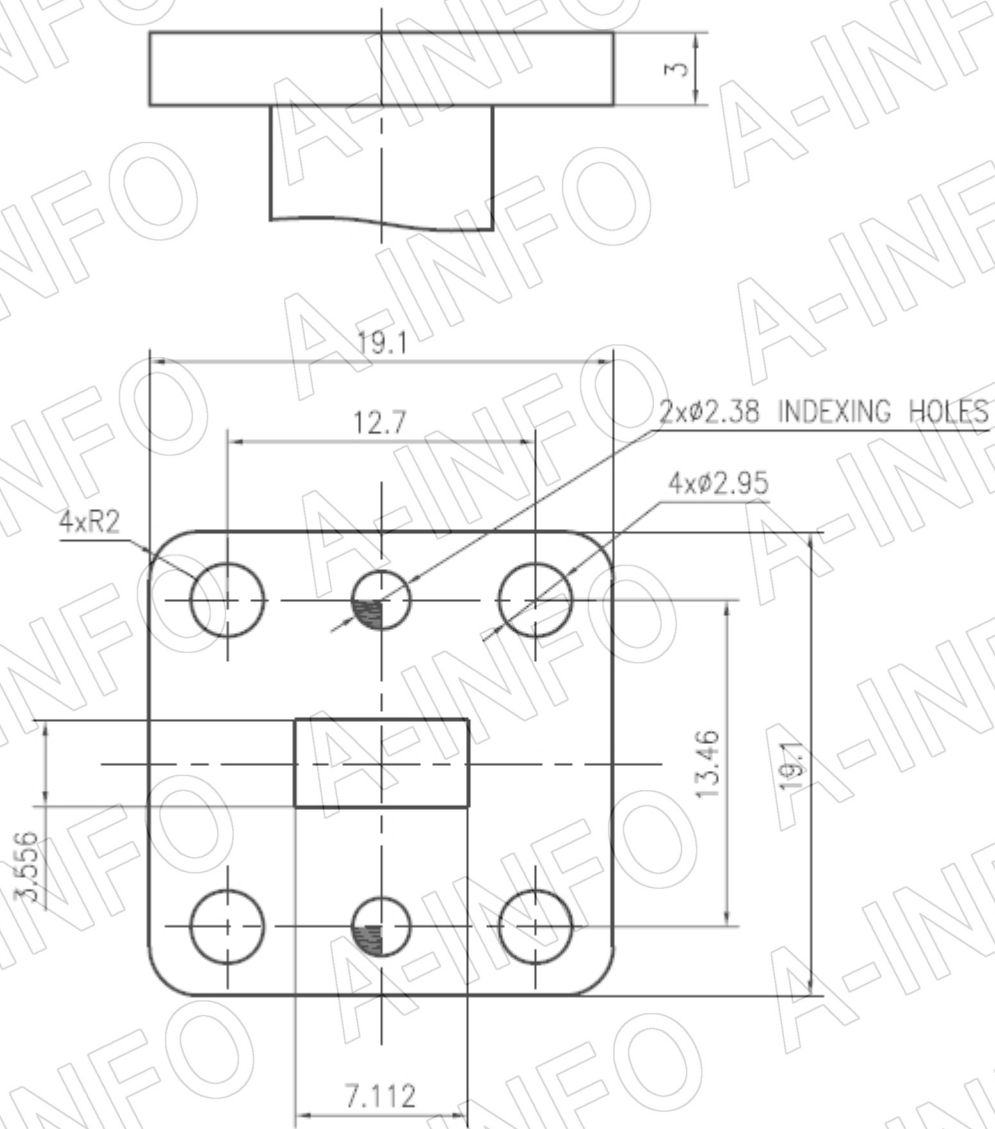


EIA WR	WR28
Frequency Range(GHz)	26.5 – 40.0
VSWR	1.025:1 Max.
Flange	APF28
Average Power(W CW)	0.5 Max.
Peak Power(KW)	0.5
Material	Cu
Finish	Chemical Conversion Coating, Gray Paint
Size(mm)	126.55 x 19.1 x 28.55
Net Weight(Kg)	0.20 Around

Outline Drawing (Size: mm)



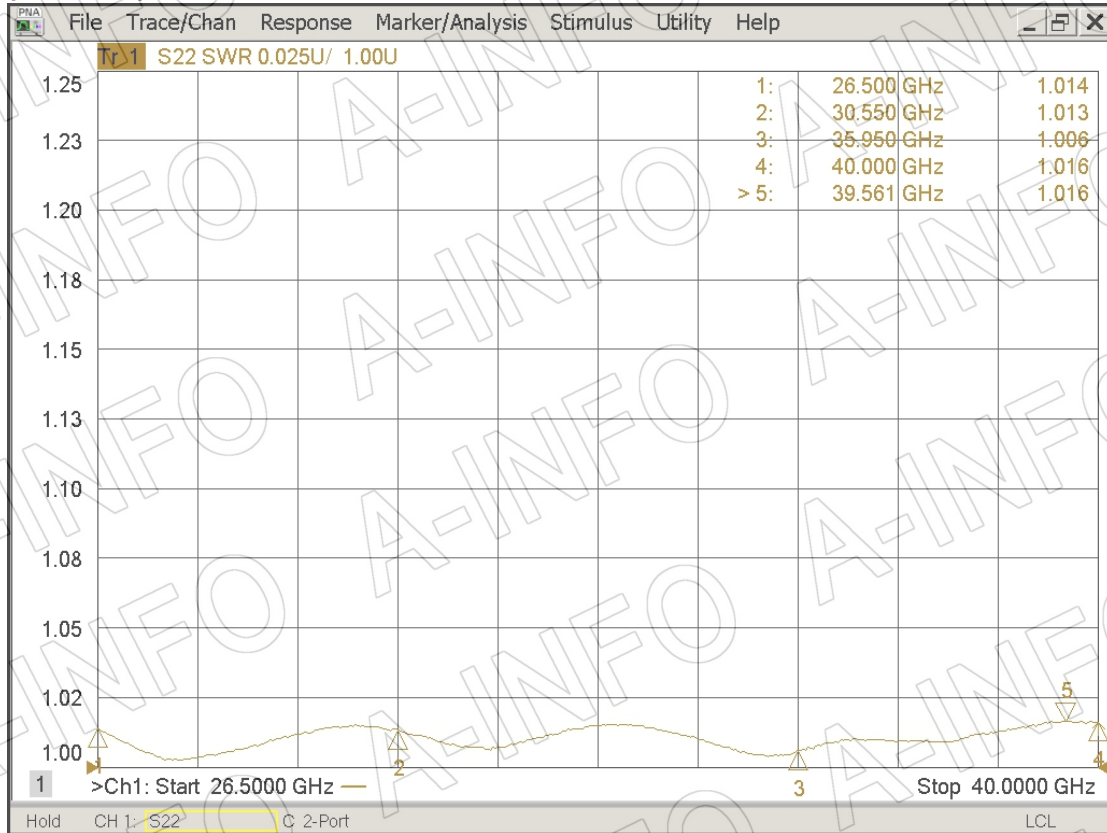
Flange Drawing (Size: mm)



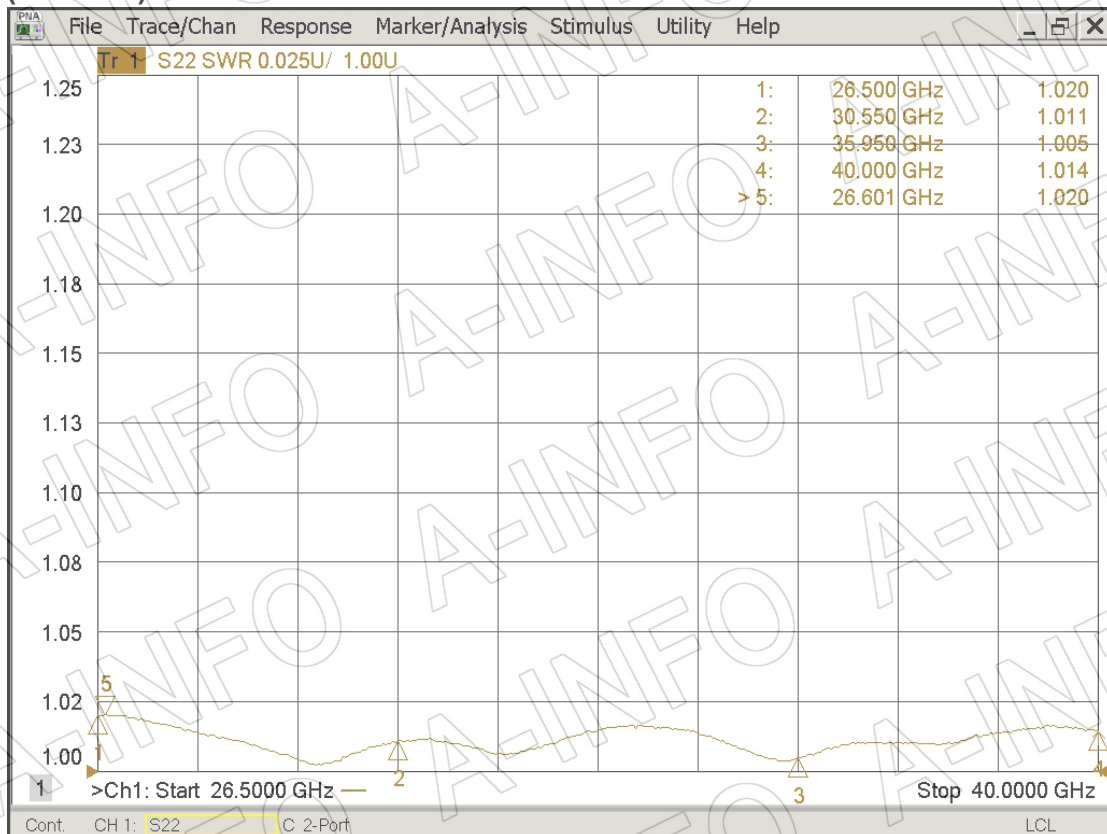
APF28

Test Results

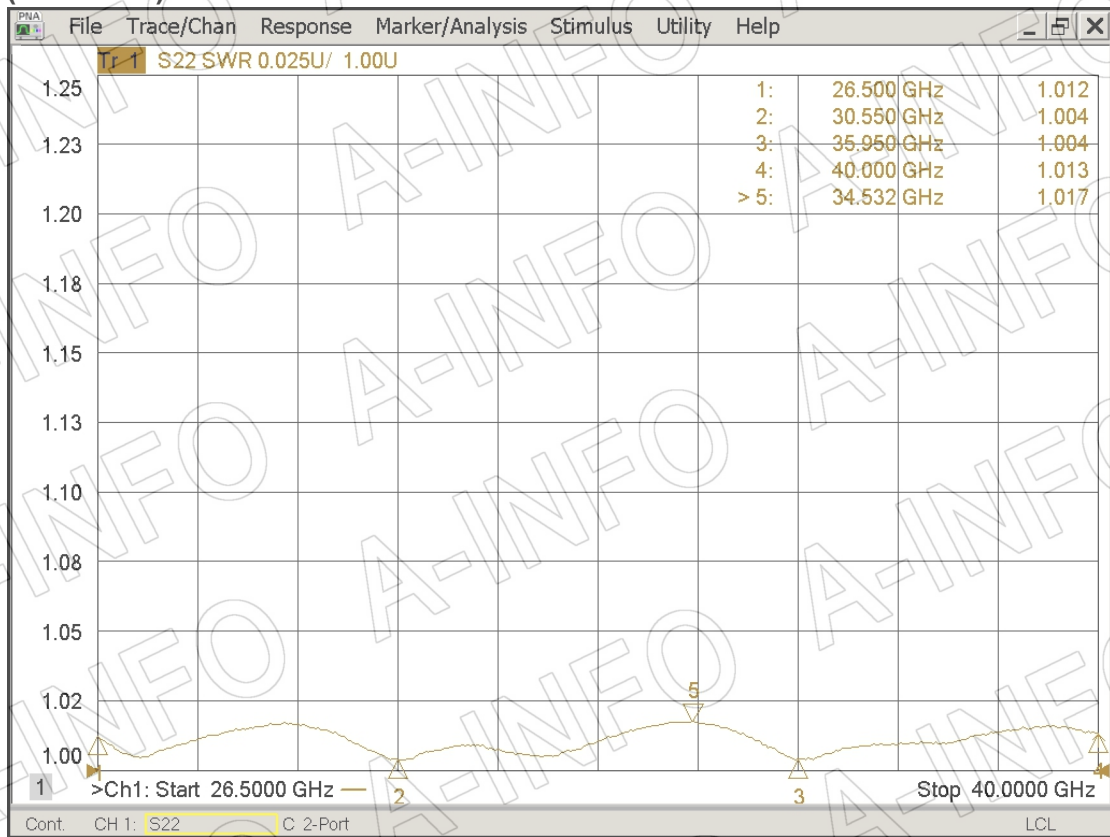
VSWR (at 0 mm)



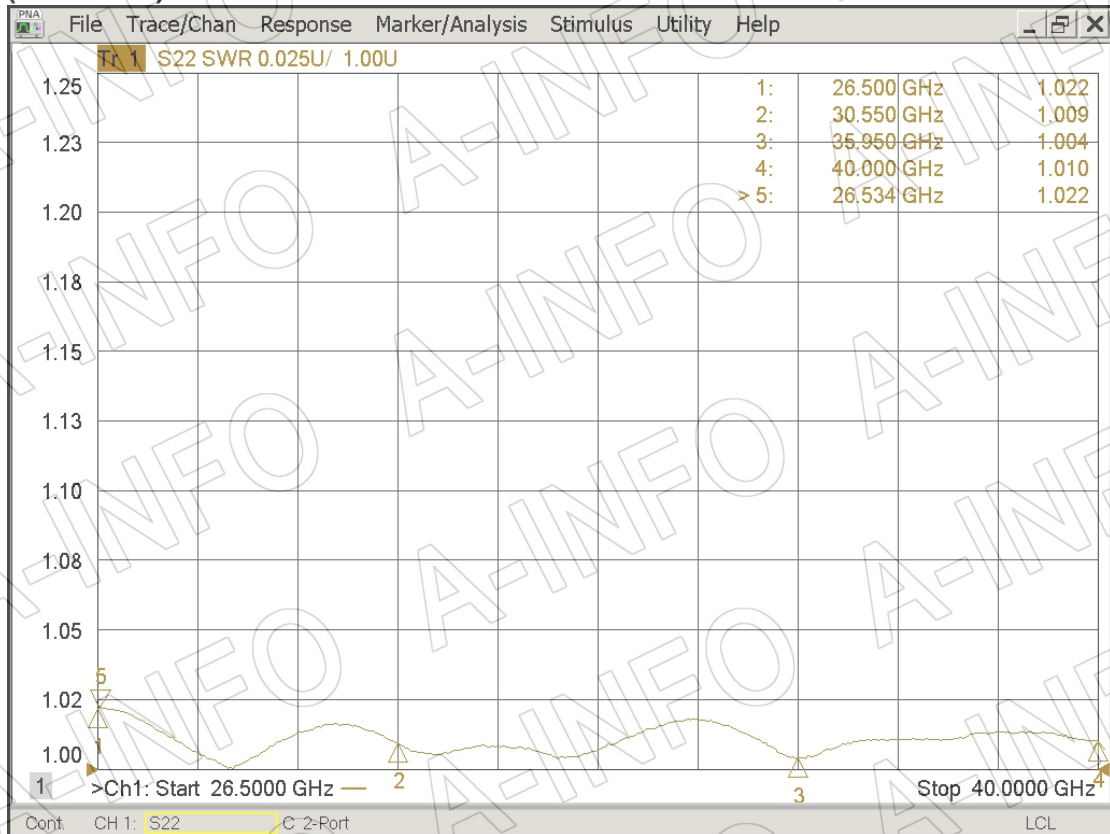
VSWR (at 5 mm)



VSWR (at 10 mm)



VSWR (at 15 mm)



VSWR (at 20 mm)

